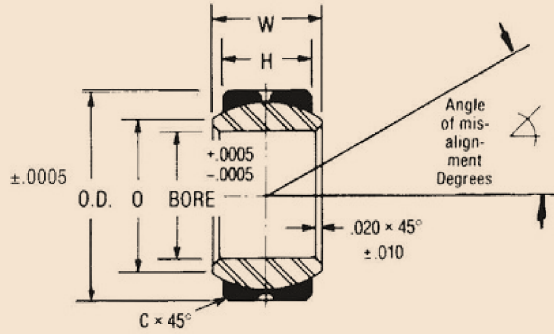


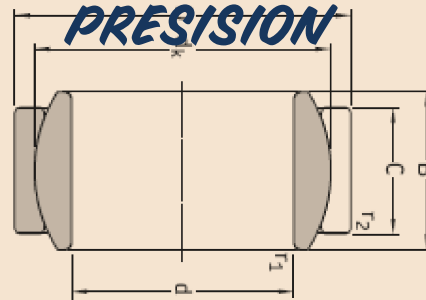
SPHERICAL BEARINGS



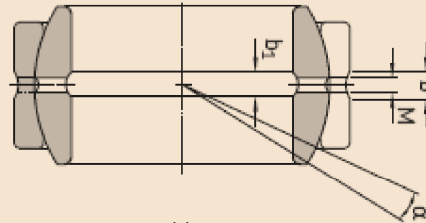
GERMAN

PRESISION

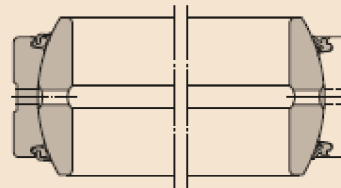
GE.. E



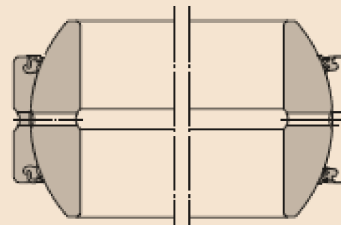
GE.. ES



GE.. ES-2RS
GE.. ES-2LS

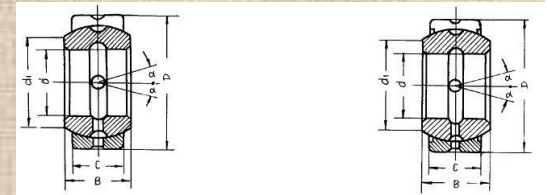


GEH.. ES-2RS
GEH.. ES-2LS



**SPHERICAL
PLAIN BEARING**

PRESISION GERMAN



Bearing number	Principal dimensions mm		
	d	D	B
GEH 6 ES	6	16	9
GEH 8 ES	8	19	11
GEH 10 ES	10	22	12
GEH 12 ES	12	26	15
GEH 15 ES-2RS	15	30	16
GEH 17 ES-2RS	17	35	20
GEH 20 ES-2RS	20	42	25
GEH 25 ES-2RS	25	47	28
GEH 30 ES-2RS	30	55	32
GEH 35 ES-2RS	35	62	35
GEH 40 ES-2RS	40	68	40
GEH 45 ES-2RS	45	75	43
GEH 50 ES-2RS	50	90	56
GEH 60 ES-2RS	60	105	63
GEH 70 ES-2RS	70	120	70
GEH 80 ES-2RS	80	130	75
GEH 90 ES-2RS	90	150	85
GEH 100 ES-2RS	100	160	85
GEH 110 ES-2RS	110	180	100
GEH 120 ES-2RS	120	210	115
GEH 140 ES-2RS	140	230	130
GEH 160 ES-2RS	160	260	135
GEH 180 ES-2RS	180	290	155
GEH 200 ES-2RS	200	320	165
GEH 220 ES-2RS	220	340	175
GEH 240 ES-2RS	240	370	190
GEH 260 ES-2RS	260	400	205
GEH 280 ES-2RS	280	430	210
GEG 12 ES	12	22	12
GEG 16 ES	16	28	16
GEG 20 ES	20	35	20
GEG 25 ES	25	42	25
GEG 30 ES	30	47	30
GEG 32 ES	32	52	32
GEG 35 ES	35	55	35
GEG 40 ES	40	62	40
GEG 45 ES	45	68	45
GEG 50 ES	50	75	50
GEG 60 ES	60	90	60
GEG 63 ES	63	95	63
GEG 70 ES	70	105	70
GEG 80 ES	80	120	80
GEG 90 ES	90	130	90
GEG 100 ES	100	150	100
GEG 110 ES	110	160	110
GEG 125 ES	125	180	125
GEG 160 ES	160	230	160
GEG 200 ES	200	290	200

Bearing number	Principal dimensions mm		
	d	D	B
GE 6 E	6	14	6
GE 8 E	8	16	8
GE 10 E	10	19	9
GE 12 E	12	22	10
GE 15 ES-2RS	15	26	12
GE 16 ES	16	30	14
GE 17 ES-2RS	17	30	14
GE 20 ES-2RS	20	35	16
GE 25 ES-2RS	25	42	20
GE 30 ES-2RS	30	47	22
GE 35 ES-2RS	35	55	25
GE 40 ES-2RS	40	62	28
GE 45 ES-2RS	45	68	32
GE 50 ES-2RS	50	75	35
GE 60 ES-2RS	60	90	44
GE 70 ES-2RS	70	105	49
GE 80 ES-2RS	80	120	55
GE 90 ES-2RS	90	130	60
GE 100 ES-2RS	100	150	70
GE 110 ES-2RS	110	160	70
GE 120 ES-2RS	120	180	85
GE 140 ES-2RS	140	210	90
GE 160 ES-2RS	160	230	105
GE 180 ES-2RS	180	260	105
GE 200 ES-2RS	200	290	130
GE 220 ES-2RS	220	320	135
GE 240 ES-2RS	240	340	140
GE 260 ES-2RS	260	370	150
GE 280 ES-2RS	280	400	155
GE 300 ES-2RS	300	430	165
GEM 20 ES-2RS	20	35	24
GEM 25 ES-2RS	25	42	29
GEM 30 ES-2RS	30	47	30
GEM 35 ES-2RS	35	55	35
GEM 40 ES-2RS	40	62	38
GEM 45 ES-2RS	45	68	40
GEM 50 ES-2RS	50	75	43
GEM 60 ES-2RS	60	90	54
GEM 70 ES-2RS	70	105	65
GEM 80 ES-2RS	80	120	74

Plain bearings

Spherical plain bearings can take up oscillating and tilting movements under varying operating and load conditions. Rod ends incorporate spherical plain bearings and have male or female thread. The bearings are available in steel-on-steel and maintenance-free designs. bushings are used where space is extremely limited. They have optimum sliding and lubrication properties and are maintenance-free.

